

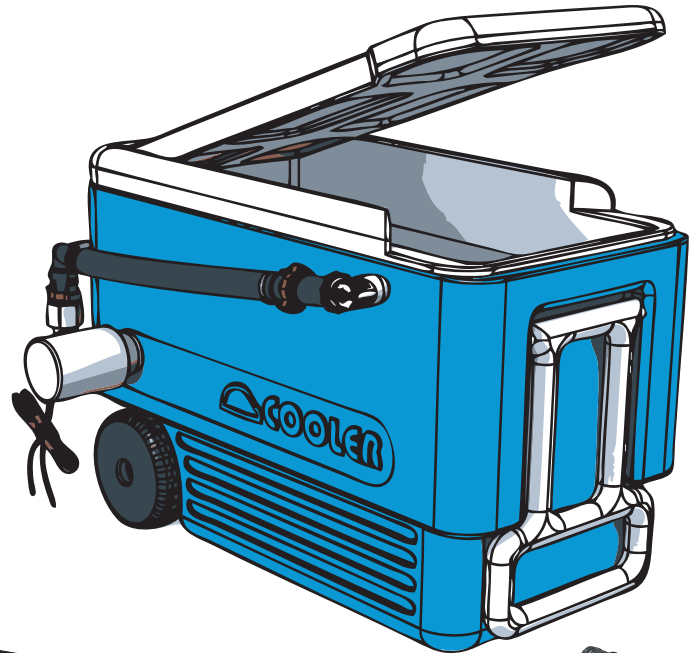
Cooler/Livewell Conversion Kit Installation Instructions

Tools Required:

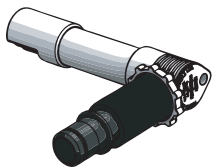
- Drill
- 7/8" hole saw
- 1-1/16" hole saw
- Phillips head screwdriver or 1/4" nut driver
- Hack saw

Parts Included:

- (1) Pump
- (1) Gasket
- (1) Strainer
- (1) Hose with Qwik-Lok™ socket
- (1) Hose clamp
- (1) PowerStream Aerator



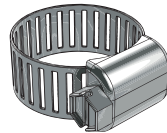
(1) Hose with Qwik-Lok™ socket



(1) Aerator



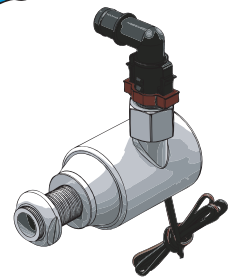
(1) Strainer



(1) Hose clamp

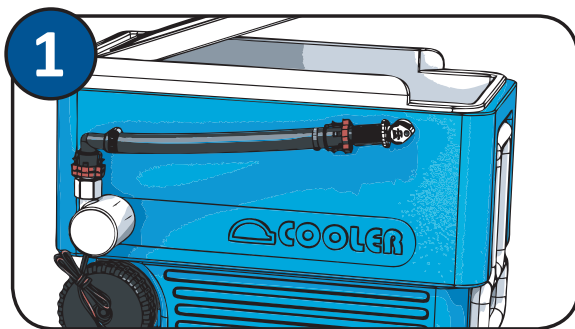


(1) Gasket

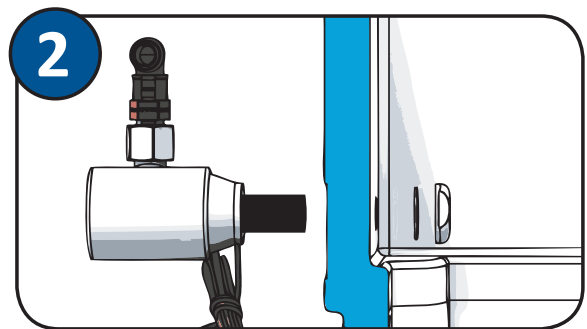


(1) Pump

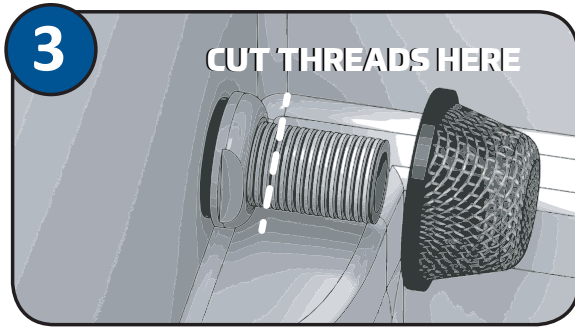
Installation



1 Determine location for the pump and aerator. The pump must be below waterline. The aerator must be above waterline. If using a cooler with wheels, it is recommended to place pump closer to the wheels and the aerator closer to handle.

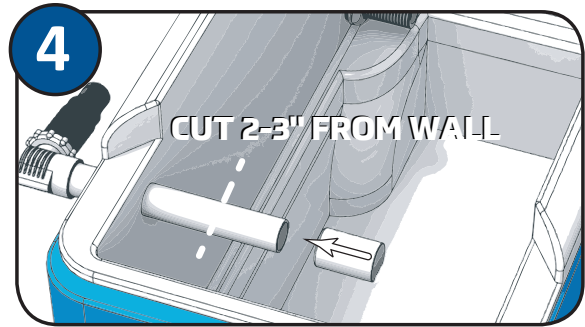


2 Drill 1-1/16 hole for pump. Install pump with outlet on top, as shown. Be sure to use the gasket on the inside of the cooler. Do not tighten nut at this time.



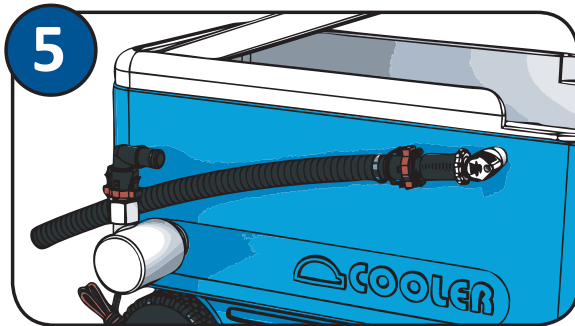
3 **CUT THREADS HERE**

Leaving enough threads for the strainer (about 1/2") mark the location where the pump threads should be cut. Remove the pump and cut threads with a hacksaw. Reinstall, tightening nuts, and screw on strainer.



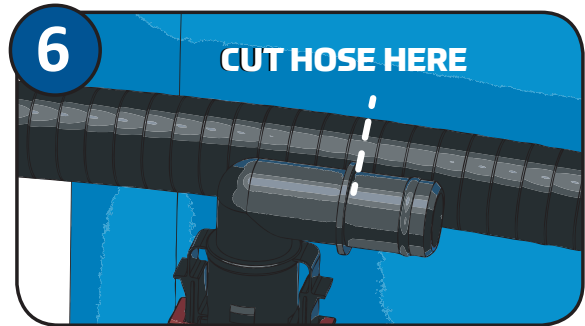
4 **CUT 2-3" FROM WALL**

Drill a 7/8" hole for the Aerator. Remove the aerator diffuser and insert the aerator as shown. The aerator tube should be cut to desired length, approx 2-3" inside the livewell. Replace the diffuser.



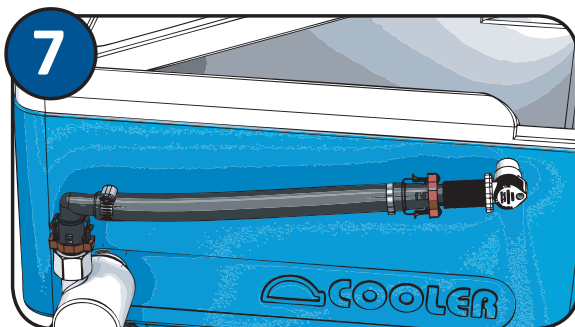
5

Install pre-assembled Qwik-Lok hose onto aerator. Push socket onto fitting then slide red locking forward to "locked" position.



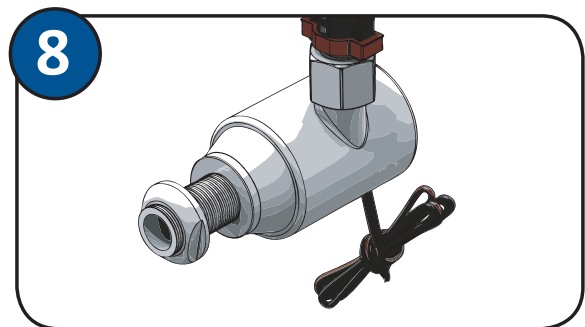
6 **CUT HOSE HERE**

Align other end of the hose with Qwik-Lok socket on pump, mark for length and cut.



7

Remove the socket from the pump. Place the hose clamp over hose then insert Qwik-Lok socket into the hose. It may be helpful to twist the socket clockwise while inserting it into the hose. Tighten hose clamp and reattach to pump.



8

Power wire (Red): First install a 5 amp in-line fuse and then run that wire to the power on source on the boat (example = toggle switch, Pro-Timer or Pro-Timer Plus)
Ground Wire (Black): Needs to run direct to the negative terminal on the battery